

Cross-reference guide for discontinued ballasts and drivers

Table of contents

- 1 Hi-lume® LED Drivers
- 1 EcoSystem® H-Series
- 2 Eco-10®
- 5 Tu-Wire®
- 6 Hi-lume
- 7 Compact SE™
- 9 Eco-10 TVE
- 10 Adapter plates
- 12 Case type dimensions
- 15 Warranty

updated December 2014

DISCONTINUATION AND CROSS-REFERENCE SUMMARY

As Lutron has continued to innovate and develop new products, older technologies have been discontinued. The following list is a summary of all Lutron ballast part numbers that have been discontinued since September 2009. Contact your Lutron account manager or customer service representative if you have any questions regarding this summary of discontinued ballasts.

Hi-lume® LED drivers								
Driver Family	Date of Discontinuation	Discontinued Model	Case Size	Current Level	Replacement Model ¹	Voltage Range	Case Size	Current Level
Hi-lume LED	6/30/11	L3D25070AUNV1S	A	700 mA	L3DA4U1UKS-HC070	15-38V	K	700 mA
		L3D25070AUNV1S	A	700 mA	L3DA4U1UKS-GC070	8-20V	K	700 mA
		L3D25070AUNV1	A	700 mA	L3DA4U1UKN-HC070	15-38V	K	700 mA
		L3D25070AUNV1	A	700 mA	L3DA4U1UKN-GC070	8-20V	K	700 mA
		L3D25105AUNV1S	A	1.05Amp	L3DA4U1UKS-JC105	15-38V	K	1.05Amp
		L3D25105AUNV1S	A	1.05Amp	L3DA4U1UKS-IC105	8-20V	K	1.05Amp
		L3D25105AUNV1	A	1.05Amp	L3DA4U1UKN-JC105	15-38V	K	1.05Amp
		L3D25105AUNV1	A	1.05Amp	L3DA4U1UKN-IC105	8-20V	K	1.05Amp
		L3D25140AUNV1S	A	1.4Amp	L3DA4U1UKS-LC140	15-38V	K	1.4Amp
		L3D25140AUNV1S	A	1.4Amp	L3DA4U1UKS-KC140	8-20V	K	1.4Amp
		L3D25140AUNV1	A	1.4Amp	L3DA4U1UKN-LC140	15-38V	K	1.4Amp
		L3D25140AUNV1	A	1.4Amp	L3DA4U1UKN-KC140	8-20V	K	1.4Amp
		L3D25210AUNV1S	A	2.1 Amp	L3DA4U1UKS-MC210	8-20V	K	2.1 Amp
		L3D25210AUNV1	A	2.1 Amp	L3DA4U1UKN-MC210	8-20V	K	2.1 Amp

¹ The model number suffix will depend on the voltage range that the LED fixture needs. An update to the OEM luminaire UL file may be needed. For questions, please contact the LED Control Center of Excellence at 1.877.DIM.LED8.

EcoSystem® H-Series									
Ballast Family	Date of Discontinuation	Discontinued Model	Dimming	Case Size	Ballast Factor	Replacement Model	Dimming	Case Size*	Ballast Factor
EcoSystem H-Series	02/01/12	EHDT832CU110	1%	C	1.00	EHDT832MU110	1%	M	1.00
		EHDT832CU117	1%	C	1.17	EHDT832MU117	1%	M	1.17
		EHDT832CU210	1%	C	1.00	EHDT832MU210	1%	M	1.00
		EHDT832CU217	1%	C	1.17	EHDT832MU217	1%	M	1.17
		EHD T554CU110	1%	C	1.00	EHDT554MU110	1%	M	1.00
		EHDT554CU210	1%	C	1.00	EHDT554MU210	1%	M	1.00
		EHDT528CU110	1%	C	1.00	EHDT528MU110	1%	M	1.00
		EHDT528CU210	1%	C	1.00	EHDT528MU210	1%	M	1.00
		ECDT832C347110	10%	C	1.00	EHDT832C347110	1%	C	1.00
		ECDT832C347117	10%	C	1.17	EHDT832C347117	1%	C	1.17
		ECDT832C347210	10%	C	1.00	EHDT832C347210	1%	C	1.00
		ECDT832C347217	10%	C	1.17	EHDT832C347217	1%	C	1.17
		ECDT528C347110	10%	C	1.00	EHDT528C347110	1%	C	1.00
		ECDT528C347210	10%	C	1.00	EHDT528C347210	1%	C	1.00
		ECDT554C347110	10%	C	1.00	EHDT554C347110	1%	C	1.00
		ECDT554C347210	10%	C	1.00	EHDT554C347210	1%	C	1.00

* In some applications, the replacement ballast case size may be different. Review dimensions for proper fit.
For questions about replacement ballasts or drivers, please contact Lutron Technical Support at 1.800.523.9466.

DISCONTINUATION AND CROSS-REFERENCE SUMMARY

Eco-10®									
Ballast Family	Date of Discontinuation	Discontinued Model	Dimming	Case Size	Ballast Factor	Replacement Model	Dimming	Case Size*	Ballast Factor
Eco-10	12/31/11	E3T514C1201	10%	C	1.0	EC5T514JUNV1	10%	J	1.00
		E3T514C1202	10%	C	1.0	EC5T514JUNV2	10%	J	1.00
		E3T514C2771	10%	C	1.0	EC5T514JUNV1	10%	J	1.00
		E3T514C2772	10%	C	1.0	EC5T514JUNV2	10%	J	1.00
		E3T521C1201	10%	C	1.0	EC5T521JUNV1	10%	J	1.00
		E3T521C1202	10%	C	1.0	EC5T521JUNV2	10%	J	1.00
		E3T521C2771	10%	C	1.0	EC5T521JUNV1	10%	J	1.00
		E3T521C2772	10%	C	1.0	EC5T521JUNV2	10%	J	1.00
		ECO-T524-120-1	10%	C	1.0	EC5T524JUNV1	10%	J	1.00
		ECO-T524-120-2	10%	C	1.0	EC5T524JUNV2	10%	J	1.00
		ECO-T524-277-1	10%	C	1.0	EC5T524JUNV1	10%	J	1.00
		ECO-T524-277-2	10%	C	1.0	EC5T524JUNV2	10%	J	1.00
		ECO-T528-120-1	10%	C	1.0	EC5T528JUNV1	10%	J	1.00
		ECO-T528-120-2	10%	C	1.0	EC5T528JUNV2	10%	J	1.00
		ECO-T528-277-1	10%	C	1.0	EC5T528JUNV1	10%	J	1.00
		ECO-T528-277-2	10%	C	1.0	EC5T528JUNV2	10%	J	1.00
		ECO-T554-120-1	10%	C	1.0	EC5T554JUNV1	10%	J	1.00
		ECO-T554-120-2	10%	C	1.0	EC5T554JUNV2	10%	J	1.00
		ECO-T554-277-1	10%	C	1.0	EC5T554JUNV1	10%	J	1.00
		ECO-T554-277-2	10%	C	1.0	EC5T554JUNV2	10%	J	1.00
		ECO-T5H39-120-1	10%	C	1.0	EC5T539JUNV1	10%	J	1.00
		ECO-T5H39-120-2	10%	C	1.0	EC5T539JUNV2	10%	J	1.00
		ECO-T5H39-277-1	10%	C	1.0	EC5T539JUNV1	10%	J	1.00
		ECO-T5H39-277-2	10%	C	1.0	EC5T539JUNV2	10%	J	1.00
		EC3T817GU110	10%	G	1.0	H3DT817GU110 ¹	1%	G	1.00
						EC5T817JUNV1 ²	10%	J	0.85
		EC3T817GU210	10%	G	1.0	H3DT817GU210 ¹	1%	G	1.00
						EC5T817JUNV2 ²	10%	J	0.85
		EC3T817GU310	10%	G	1.0	H3DT817GU310	1%	G	1.00
		EC3T817CU110	10%	C	1.0	H3DT817CU110 ¹	1%	C	1.00
						EC5T817JUNV1 ²	10%	J	0.85
		EC3T817CU210	10%	C	1.0	H3DT817CU210 ¹	1%	C	1.00
						EC5T817JUNV2 ²	10%	J	0.85
		EC3T825GU110	10%	G	1.0	H3DT825CU110 ¹	1%	C	1.00
						EC5T825JUNV1 ²	10%	J	0.85
		EC3T825GU210	10%	G	1.0	H3DT825CU210 ¹	1%	C	1.00
EC5T825JUNV2 ²	10%					J	0.85		

* In some applications, the replacement ballast case size may be different. Review dimensions for proper fit.

For questions about replacement ballasts or drivers, please contact Lutron Technical Support at 1.800.523.9466.

¹ Recommended for new application

² Recommended for ballast replacement

DISCONTINUATION AND CROSS-REFERENCE SUMMARY

Eco-10®									
Ballast Family	Date of Discontinuation	Discontinued Model	Dimming	Case Size	Ballast Factor	Replacement Model	Dimming	Case Size*	Ballast Factor
Eco-10	12/31/11 (continued)	EC3T825CU110	10%	C	1.0	EC5T825JUNV1	10%	J	0.85
		EC3T825CU210	10%	C	1.0	EC5T825JUNV2	10%	J	0.85
		EC3T832GU110	10%	G	1.0	H3DT832GU110 ¹	1%	G	1.00
						EC5T832JUNV1 ²	10%	J	0.85
		EC3T832GU210	10%	G	1.0	H3DT832GU210 ¹	1%	G	1.00
						EC5T832GUNV2 ³	10%	G	0.85
		EC3T832GU310	10%	G	1.0	H3DT832GU310 ¹	1%	G	1.00
						EC5T832GUNV3L ^{2,3}	10%	G	0.85
		EC3T832GU117	10%	G	1.17	H3DT832GU117	1%	G	1.17
		EC3T832GU217	10%	G	1.17	H3DT832GU217	1%	G	1.17
		EC3T832GU317	10%	G	1.17	H3DT832GU317 ¹	1%	G	1.17
						EC5T832GUNV317L ^{2,3}	10%	G	1.17
		EC3T832CU110	10%	C	1.0	H3DT832CU110 ¹	1%	C	1.00
						EC5T832JUNV1 ²	10%	J	0.85
		EC3T832CU210	10%	C	1.0	H3DT832CU210 ¹	1%	C	1.00
						EC5T832JUNV2 ²	10%	J	0.85
		EC3T832CU117	10%	C	1.17	H3DT832CU117 ¹	1%	C	1.17
	EC5T832JUNV1 ²					10%	J	0.85	
	EC3T832CU217	10%	C	1.17	H3DT832CU217 ¹	1%	C	1.17	
					EC5T832JUNV2 ²	10%	J	0.85	
	12/31/09	ECO-T817-120-1	10%	F	0.85	H3DT817GU110 ¹	1%	G	1.00
						EC5T817JUNV1 ²	10%	J	0.85
		ECO-T817-277-1	10%	F	0.85	H3DT817GU110 ¹	1%	G	1.00
						EC5T817JUNV1 ²	10%	J	0.85
		ECO-T817-120-2	10%	F	0.85	H3DT817GU210 ¹	1%	G	1.00
						EC5T817JUNV2 ²	10%	J	0.85
		ECO-T817-277-2	10%	F	0.85	H3DT817GU210 ¹	1%	G	1.00
						EC5T817JUNV2 ²	10%	J	0.85
		ECO-T817-120-3	10%	F	0.85	H3DT817GU310	1%	G	1.00
ECO-T817-277-3		10%	F	0.85	H3DT817GU310	1%	G	1.00	
ECO-T825-120-1		10%	F	0.85	EC5T825JUNV1	10%	J	0.85	
ECO-T825-277-1		10%	F	0.85	EC5T825JUNV1	10%	J	0.85	
ECO-T825-120-2	10%	F	0.85	EC5T825JUNV2	10%	J	0.85		
ECO-T825-277-2	10%	F	0.85	EC5T825JUNV2	10%	J	0.85		
ECO-T832-120-1	10%	F	0.85	H3DT832GU110 ¹	1%	G	1.00		
				EC5T832JUNV1 ²	10%	J	0.85		

* In some applications, the replacement ballast case size may be different. Review dimensions for proper fit.

For questions about replacement ballasts or drivers, please contact Lutron Technical Support at 1.800.523.9466.

¹ Recommended for new application

² Recommended for ballast replacement

³ Ballast ships with leads.

DISCONTINUATION AND CROSS-REFERENCE SUMMARY

Eco-10®										
Ballast Family	Date of Discontinuation	Discontinued Model	Dimming	Case Size	Ballast Factor	Replacement Model	Dimming	Case Size*	Ballast Factor	
Eco-10	12/31/09 (continued)	ECO-T832-120-1-L	10%	D	0.85	H3DT832GU110 ¹	1%	G	1.00	
						EC5T832JUNV1 ²	10%	J	0.85	
		ECO-T832-120-1-T	10%	D	0.85	H3DT832GU110 ¹	1%	G	1.00	
						EC5T832JUNV1 ²	10%	J	0.85	
		ECO-T832-277-1	10%	F	0.85	H3DT832GU110 ¹	1%	G	1.00	
						EC5T832JUNV1 ²	10%	J	0.85	
		ECO-T832-277-1-L	10%	D	0.85	H3DT832GU110 ¹	1%	G	1.00	
						EC5T832JUNV1 ²	10%	J	0.85	
		ECO-T832-277-1-T	10%	D	0.85	H3DT832GU110 ¹	1%	G	1.00	
						EC5T832JUNV1 ²	10%	J	0.85	
		ECO-T832-120-2	10%	F	0.85	H3DT832GU210 ¹	1%	G	1.00	
						EC5T832GUNV2 ²	10%	G	0.85	
		ECO-T832-120-2-L	10%	D	0.85	H3DT832GU210 ¹	1%	G	1.00	
						EC5T832GUNV2L ^{2,3}	10%	G	0.85	
		ECO-T832-120-2-T	10%	D	0.85	H3DT832GU210 ¹	1%	G	1.00	
						EC5T832GUNV2L ^{2,3}	10%	G	0.85	
		ECO-T832-277-2	10%	F	0.85	H3DT832GU210 ¹	1%	G	1.00	
						EC5T832GUNV2 ²	10%	G	0.85	
		ECO-T832-277-2-L	10%	D	0.85	H3DT832GU210 ¹	1%	G	1.00	
						EC5T832GUNV2 ²	10%	G	0.85	
		ECO-T832-277-2-T	10%	D	0.85	H3DT832GU210 ¹	1%	G	1.00	
						EC5T832GUNV2 ²	10%	G	0.85	
		ECO-T832-120-3	10%	F	0.85	EC5T832GUNV3L ^{2,3}	10%	G	0.85	
		ECO-T832-277-3	10%	F	0.85	EC5T832GUNV3L ^{2,3}	10%	G	0.85	
		ECO-T539-120-1	10%	F	0.85	H3DT536GU110	5%	G	1.00	
		ECO-T539-277-1	10%	F	0.85	H3DT536GU110	5%	G	1.00	
		ECO-T539-120-2	10%	F	0.85	H3DT536GU210	5%	G	1.00	
		ECO-T539-277-2	10%	F	0.85	H3DT536GU210	5%	G	1.00	
		ECO-T539-120-3	10%	F	0.85	Contact obsoleteproducts@lutron.com				
		ECO-T539-277-3	10%	F	0.85	Contact obsoleteproducts@lutron.com				
ECO-T540-120-1	10%	F	0.85	H3DT540GU110	5%	G	1.00			
ECO-T540-277-1	10%	F	0.85	H3DT540GU110	5%	G	1.00			
ECO-T540-120-2	10%	F	0.85	H3DT540GU210	5%	G	1.00			
ECO-T540-277-2	10%	F	0.85	H3DT540GU210	5%	G	1.00			
ECO-T540-120-3	10%	F	0.85	H3DT540GU310	5%	G	1.00			

* In some applications, the replacement ballast case size may be different. Review dimensions for proper fit.

For questions about replacement ballasts or drivers, please contact Lutron Technical Support at 1.800.523.9466.

¹ Recommended for new application

² Recommended for ballast replacement

³ Ballast ships with leads.

DISCONTINUATION AND CROSS-REFERENCE SUMMARY

Eco-10®										
Ballast Family	Date of Discontinuation	Discontinued Model	Dimming	Case Size	Ballast Factor	Replacement Model	Dimming	Case Size*	Ballast Factor	
Eco-10	12/31/09 (continued)	ECO-T540-277-3	10%	F	0.85	H3DT540GU310	5%	G	1.00	
		ECO-T550-120-1	10%	F	0.85	H3DT550GU110	5%	G	1.00	
		ECO-T550-277-1	10%	F	0.85	H3DT550GU110	5%	G	1.00	
		ECO-T550-120-2	10%	F	0.85	H3DT550GU210	5%	G	1.00	
		ECO-T550-277-2	10%	F	0.85	H3DT550GU210	5%	G	1.00	
	11/01/09	ECO-T536-240-1	10%	F	0.95	H3DT536GU110	5%	G	1.00	
		ECO-T536-240-2	10%	F	0.95	H3DT536GU210	5%	G	1.00	
		ECO-T818-240-1	10%	F	0.95	Contact obsoleteproducts@lutron.com				
		ECO-T818-240-2	10%	F	0.95					
		ECO-T832-240-2	10%	F	0.95	EC5T832GUNV2L	10%	G	0.85	
		ECO-T836-240-1	10%	F	0.95	Contact obsoleteproducts@lutron.com				
		ECO-T836-240-2	10%	F	0.95					
		ECO-T858-240-1	10%	F	0.95					
		ECO-T858-240-2	10%	F	0.95					
ECO-T870-240-1	10%	F	0.95							

Tu-Wire®									
Ballast Family	Date of Discontinuation	Discontinued Model	Dimming	Case Size	Ballast Factor	Replacement Model	Case Size	Ballast Factor	
Tu-Wire	8/1/14	2W-T825-120-1	5%	C	0.85	Contact obsoleteproducts@lutron.com			
		2W-T825-120-2	5%	C	0.85				
		2W-T832-120-1	5%	C	0.85				
		2W-T832-120-2	5%	C	0.85				

* In some applications, the replacement ballast case size may be different. Review dimensions for proper fit.
For questions about replacement ballasts or drivers, please contact Lutron Technical Support at 1.800.523.9466.

DISCONTINUATION AND CROSS-REFERENCE SUMMARY

Hi-lume®										
Ballast Family	Date of Discontinuation	Discontinued Model	Dimming	Case Size	Ballast Factor	Replacement Model	Dimming	Case Size*	Ballast Factor	
Hi-lume	12/31/09	FDB-2427-120-1	1%	F	0.85	H3DT817GU110	1%	G	1.00	
		FDB-2427-277-1	1%	F	0.85	H3DT817GU110	1%	G	1.00	
		FDB-2427-120-2	1%	F	0.85	H3DT817GU210	1%	G	1.00	
		FDB-2427-277-2	1%	F	0.85	H3DT817GU210	1%	G	1.00	
		FDB-2427-120-3	1%	F	0.85	H3DT817GU310	1%	G	1.00	
		FDB-2427-277-3	1%	F	0.85	H3DT817GU310	1%	G	1.00	
		FDB-3627-120-1	1%	F	0.85	H3DT825CU110	1%	C	1.00	
		FDB-3627-277-1	1%	F	0.85	H3DT825CU110	1%	C	1.00	
		FDB-3627-120-2	1%	F	0.85	H3DT825CU210	1%	C	1.00	
		FDB-3627-277-2	1%	F	0.85	H3DT825CU210	1%	C	1.00	
		FDB-3627-120-3	1%	F	0.85	Contact obsoleteproducts@lutron.com				
		FDB-3627-277-3	1%	F	0.85					
		FDB-4827-120-1	1%	F	0.85	H3DT832GU110	1%	G	1.00	
		FDB-4827-277-1	1%	F	0.85	H3DT832GU110	1%	G	1.00	
		FDB-4827-120-2	1%	F	0.85	H3DT832GU210	1%	G	1.00	
		FDB-4827-277-2	1%	F	0.85	H3DT832GU210	1%	G	1.00	
		FDB-4827-120-3	1%	F	0.85	H3DT832GU310	1%	G	1.00	
		FDB-4827-277-3	1%	F	0.85	H3DT832GU310	1%	G	1.00	
		FDB-6027-120-1	1%	F	0.85	H3DT840CU110	1%	C	1.00	
		FDB-6027-277-1	1%	F	0.85	H3DT840CU110	1%	C	1.00	
	FDB-6027-120-2	1%	F	0.85	H3DT840CU210	1%	C	1.00		
	FDB-6027-277-2	1%	F	0.85	H3DT840CU210	1%	C	1.00		
	11/1/09	FCE-0626-240-1	5%	F	0.85	Contact obsoleteproducts@lutron.com				
		FCE-0626-240-2	5%	F	0.85					
		FCE-1226-240-1	5%	F	0.85					
		FCE-1226-240-2	5%	F	0.85					
		FCE-1526-240-1	5%	F	0.85					
		FCE-1526-240-2	5%	F	0.85					
		FCE-1826-240-1	5%	F	0.85					
		FCE-CF18-240-1	5%	F	0.85	EC3DT418KU1	5%	K**	0.95	
FCE-CF18-240-2		5%	F	0.85	EC3DT418KU2	5%	K**	0.95		
FCE-CF26-240-1		5%	F	0.85	EC3DT4MWKU1	5%	K**	0.95		
FCE-CF26-240-2	5%	F	0.85	EC3DT4MWKU2	5%	K**	0.95			
FCE-CFL36-240-1	5%	F	0.85	Contact obsoleteproducts@lutron.com						
FCE-CFL36-240-2	5%	F	0.85							
FDB-4827-240-1	1%	F	0.85	H3DT832GU110	1%	G	1.00			
FDB-4827-240-2	1%	F	0.85	H3DT832GU210	1%	G	1.00			

* In some applications, the replacement ballast case size may be different. Review dimensions for proper fit.

**For applications where a Hi-lume studded ballast was used, Lutron adapter plate CFL-JBA-FAB may be required to retrofit the replacement studded ballast. Dimensions for the adapter plate are shown on page 10.

For questions about replacement ballasts or drivers, please contact Lutron Technical Support at 1.800.523.9466.

DISCONTINUATION AND CROSS-REFERENCE SUMMARY

Compact SE™									
Ballast Family	Date of Discontinuation	Discontinued Model	Dimming	Case Size	Ballast Factor	Replacement Model	Dimming	Case Size*	Ballast Factor
Compact SE	12/31/11	FDB-T418-120-1	5%	A	0.95	EC3DT418KU1	5%	K	0.95
		FDB-T418-277-1	5%	A	0.95	EC3DT418KU1	5%	K	0.95
		FDB-T426-120-1	5%	A	0.95	EC3DT4MWKU1	5%	K	0.95
		FDB-T426-120-1-S	5%	A	0.95	EC3DT4MWKU1S	5%	K	0.95
		FDB-T426-277-1	5%	A	0.95	EC3DT4MWKU1	5%	K	0.95
		FDB-T426-277-1-S	5%	A	0.95	EC3DT4MWKU1S	5%	K	0.95
		FDB-T432-120-1	5%	A	0.95	EC3DT4MWKU1	5%	K	0.95
		FDB-T432-120-1-S	5%	A	0.95	EC3DT4MWKU1S	5%	K	0.95
		FDB-T432-277-1	5%	A	0.95	EC3DT4MWKU1	5%	K	0.95
		FDB-T432-277-1-S	5%	A	0.95	EC3DT4MWKU1S	5%	K	0.95
		EC3T536GU110	5%	G	1.00	H3DT536GU110	5%	G	1.00
		EC3T536GU210	5%	G	1.00	H3DT536GU210	5%	G	1.00
		EC3T540GU110	5%	G	1.00	H3DT540GU110	5%	G	1.00
		EC3T540GU210	5%	G	1.00	H3DT540GU210	5%	G	1.00
		EC3T540GU310	5%	G	1.00	H3DT540GU310	5%	G	1.00
		EC3T550GU110	5%	G	1.00	H3DT550GU110	5%	G	1.00
		EC3T550GU210	5%	G	1.00	H3DT550GU210	5%	G	1.00
	9/30/10	FDB-T418-120-2	5%	B	0.95	EC3DT418KU2	5%	K**	0.95
		FDB-T418-277-2	5%	B	0.95	EC3DT418KU2	5%	K**	0.95
		FDB-T426-120-2	5%	B	0.95	EC3DT4MWKU2	5%	K**	0.95
		FDB-T426-277-2	5%	B	0.95	EC3DT4MWKU2	5%	K**	0.95
		FDB-T432-120-2	5%	B	0.95	EC3DT4MWKU2	5%	K**	0.95
		FDB-T432-277-2	5%	B	0.95	EC3DT4MWKU2	5%	K**	0.95
		FDB-T442-120-2	5%	B	0.95	EC3DT442KU2	5%	K**	0.95
		FDB-T442-277-2	5%	B	0.95	EC3DT442KU2	5%	K**	0.95
		FDB-T442-120-1	5%	B	0.95	EC3DT442KU1	5%	K**	0.95
		FDB-T442-277-1	5%	B	0.95	EC3DT442KU1	5%	K**	0.95
		FDB-T418-120-2-S	5%	B	0.95	EC3DT418KU2S	5%	K	0.95
		FDB-T418-277-2-S	5%	B	0.95	EC3DT418KU2S	5%	K	0.95
		FDB-T426-120-2-S	5%	B	0.95	EC3DT4MWKU2S	5%	K	0.95
		FDB-T426-277-2-S	5%	B	0.95	EC3DT4MWKU2S	5%	K	0.95
		FDB-T432-120-2-S	5%	B	0.95	EC3DT4MWKU2S	5%	K	0.95
		FDB-T432-277-2-S	5%	B	0.95	EC3DT4MWKU2S	5%	K	0.95
		FDB-T442-120-2-S	5%	B	0.95	EC3DT442KU2S	5%	K	0.95
FDB-T442-277-2-S	5%	B	0.95	EC3DT442KU2S	5%	K	0.95		
FDB-T442-120-1-S	5%	B	0.95	EC3DT442KU1S	5%	K	0.95		
FDB-T442-277-1-S	5%	B	0.95	EC3DT442KU1S	5%	K	0.95		

* In some applications, the replacement ballast case size may be different. Review dimensions for proper fit.

**Lutron adapter plate CFL-BEA-BK may be required to retrofit the replacement non-studded ballast. Dimensions for the adapter plate are shown on page 10.

For questions about replacement ballasts or drivers, please contact Lutron Technical Support at 1.800.523.9466.

DISCONTINUATION AND CROSS-REFERENCE SUMMARY

Compact SE (continued)										
Ballast Family	Date of Discontinuation	Discontinued Model	Dimming	Case Size	Ballast Factor	Replacement Model	Dimming	Case Size*	Ballast Factor	
Compact SE	12/31/09	FDB-1643-120-1	5%	F	0.85	H3DT536GU110	5%	G	1.00	
		FDB-1643-277-1	5%	F	0.85	H3DT536GU110	5%	G	1.00	
		FDB-1643-120-2	5%	F	0.85	H3DT536GU210	5%	G	1.00	
		FDB-1643-277-2	5%	F	0.85	H3DT536GU210	5%	G	1.00	
		FDB-1643-120-3	5%	F	0.85	Contact obsoleteproducts@lutron.com				
		FDB-1643-277-3	5%	F	0.85					
		FDB-2227-120-1	5%	F	0.85	H3DT540GU110	5%	G	1.00	
		FDB-2227-277-1	5%	F	0.85	H3DT540GU110	5%	G	1.00	
		FDB-2227-120-2	5%	F	0.85	H3DT540GU210	5%	G	1.00	
		FDB-2227-277-2	5%	F	0.85	H3DT540GU210	5%	G	1.00	
		FDB-2227-120-3	5%	F	0.85	H3DT540GU310	5%	G	1.00	
		FDB-2227-277-3	5%	F	0.85	H3DT540GU310	5%	G	1.00	
		FDB-2243-120-1	5%	F	0.85	H3DT550GU110	5%	G	1.00	
		FDB-2243-277-1	5%	F	0.85	H3DT550GU110	5%	G	1.00	
		FDB-2243-120-2	5%	F	0.85	H3DT550GU210	5%	G	1.00	
		FDB-2243-277-2	5%	F	0.85	H3DT550GU210	5%	G	1.00	
		FDB-T418-240-1-S	5%	A	0.95	EC3DT418KU1S	5%	K	0.95	
		FDB-T426-240-1-S	5%	A	0.95	EC3DT4MWKU1S	5%	K	0.95	
		FDB-T432-240-1-S	5%	A	0.95	EC3DT4MWKU1S	5%	K	0.95	

* In some applications, the replacement ballast case size may be different. Review dimensions for proper fit.

For questions about replacement ballasts or drivers, please contact Lutron Technical Support at 1.800.523.9466.

DISCONTINUATION AND CROSS-REFERENCE SUMMARY

Eco-10® TVE								
Ballast Family	Date of Discontinuation	Discontinued Model	Dimming	Case Size	Ballast Factor	Replacement Model	Case Size	Ballast Factor
Eco-10 TVE	6/30/11	TVE-T832-347-1	10%	F	0.85	Contact obsoleteproducts@lutron.com		
		TVE-T832-347-2	10%	F	0.85			
	10/1/09	BTVF-T832-120-2	10%	F	0.85			
		BTVF-T832-120-3	10%	F	0.85			
		BTVF-T832-277-2	10%	F	0.85			
		BTVF-T832-277-3	10%	F	0.85			
		TVE-T540-120-2	10%	F	0.85			
		TVE-T540-120-3	10%	F	0.85			
		TVE-T540-277-2	10%	F	0.85			
		TVE-T817-120-1	10%	F	0.85			
		TVE-T825-120-1	10%	F	0.85			
		TVE-T832-120-1	10%	F	0.85			
		TVE-T832-120-2	10%	F	0.85			
		TVE-T832-120-3	10%	F	0.85			
		TVE-T832-277-1	10%	F	0.85			
		TVE-T832-277-2	10%	F	0.85			
		TVE-T832-277-3	10%	F	0.85			
		TVE-T832-277-3N	10%	F	0.85			

For questions about replacement ballasts or drivers, please contact Lutron Technical Support at 1.800.523.9466.

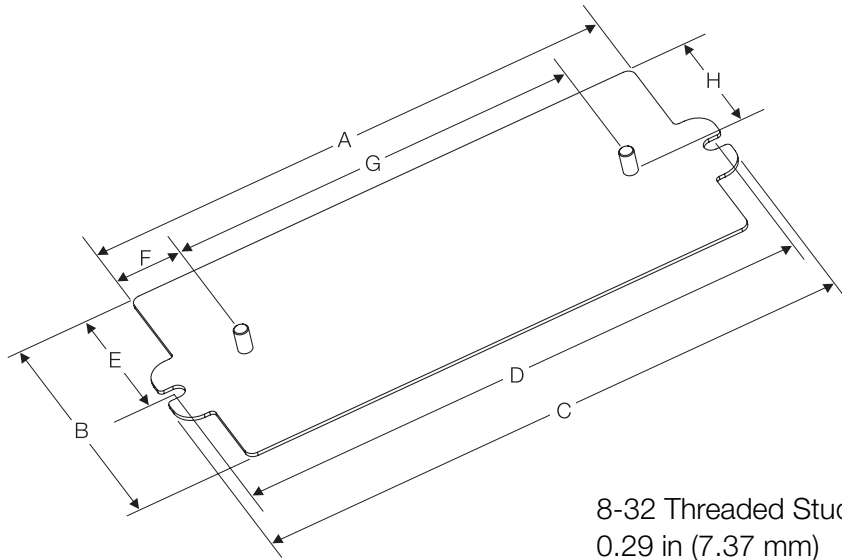
ADAPTER PLATES

Adapter plates

Lutron adapter plates CFL-BEA-BK or CFL-JBA-FAB may be required to retrofit replacement ballasts.

The CFL-BEA-BK is used when a non-studded B-can is being replaced by a non-studded K-can. The CFL-JBA-FAB is used when a studded F-can is being replaced by a studded A-can, B-can or K-can. Dimensions for the adapter plates are shown below.

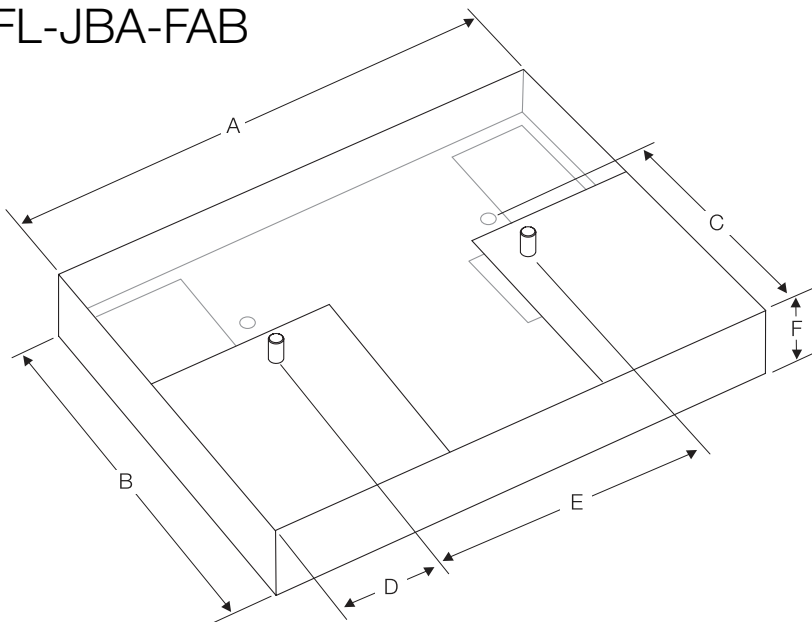
CFL-BEA-BK



- A 6.00 in (152 mm)
- B 2.96 in (75 mm)
- C 6.73 in (171 mm)
- D 6.41 in (163 mm)
(mounting centers)
- E 1.58 in (40 mm)
- F 0.69 in (18 mm)
- G 4.61 in (117 mm)
- H 1.43 in (36 mm)

8-32 Threaded Stud
0.29 in (7.37 mm)

CFL-JBA-FAB



- A 4.19 in (106 mm)
- B 2.96 in (75 mm)
- C 2.04 in (52 mm)
- D 1.09 in (28 mm)
- E 2.00 in (51 mm)
- F .52 in (13 mm)

8-32 Threaded Stud
0.29 in (7.37 mm)

ADAPTER PLATES

K-can Replacement Scenarios for T4 CFL Lamps			
		Replacement Hardware	
Existing installation	Sample Model	Ballast Can	Adapter Plate
F-can with studs	FDB-CF18-120-2-B	K-can with studs	CFL-JBA-FAB
F-can without studs	FDB-T418-120-2-E	K-can without studs	N/A*
B-can with studs	FDB-T418-120-2-S	K-can with studs	N/A
B-can without studs	FDB-T418-120-2	K-can without studs	CFL-BEA-BK
A-can with studs	FDB-T418-120-2-S	K-Can with studs	N/A
A-can without studs	FDB-T418-120-2	K-can without studs	N/A

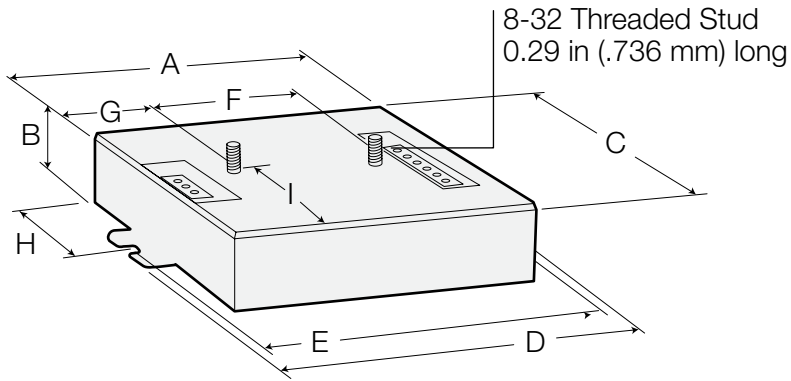
*Need to drill new mounting holes in the fixture

Notes

1. When replacing the F-can or B-can with a K-can, it is important to know whether the ballast is mounted by the studs or the flanges.
2. K-can ballast is wider than the F-can. This may be an issue in narrow fixtures.
3. K-can connector locations don't exactly match the B-can. They may not line up with fixture mounting plates in some installations.

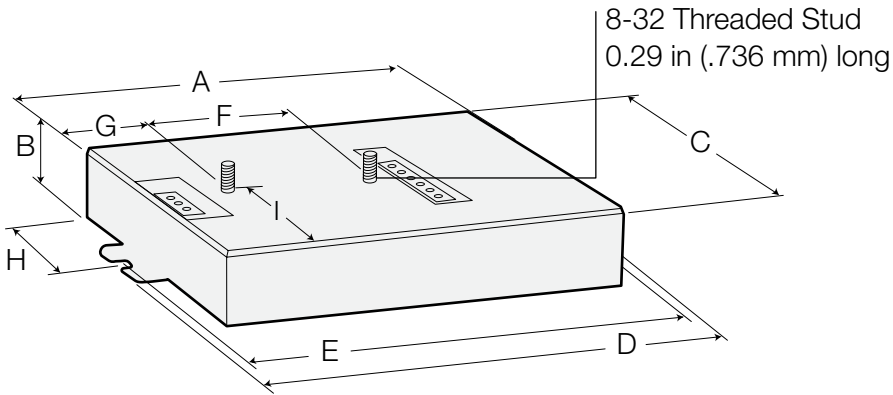
CASE TYPE DIMENSIONS

A



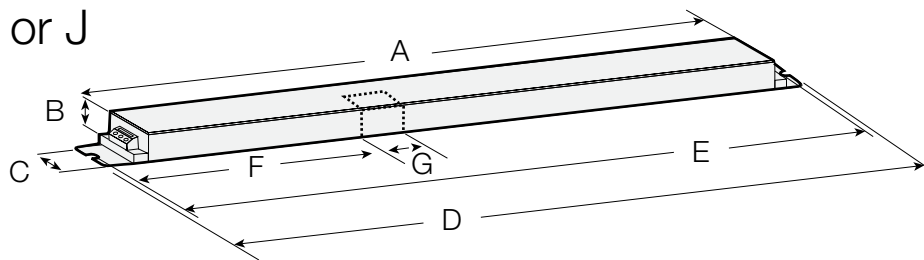
A	4.20 in (107 mm)
B	1.00 in (25 mm)
C	3.00 in (76 mm)
D	4.90 in (124 mm)
E	4.60 in (117 mm) (mounting centers)
F	2.00 in (51 mm)
G	1.08 in (27 mm)
H	1.60 in (41 mm)
I	1.39 in (35 mm)

B



A	6.00 in (152 mm)
B	1.00 in (25 mm)
C	3.00 in (76 mm)
D	6.75 in (171mm)
E	6.50 in (165 mm) (mounting centers)
F	2.00 in (51 mm)
G	1.16 in (29 mm)
H	1.60 in (41 mm)
I	1.39 in (35 mm)

C or J

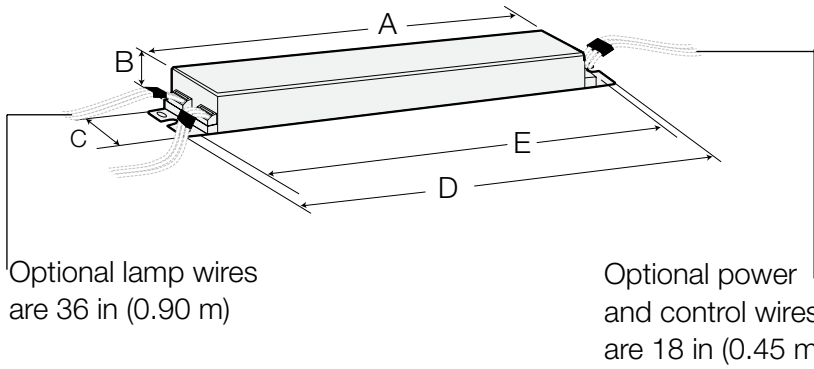


A	16.12 in (409 mm)
B	1.00 in (25 mm)
C	1.18 in (30 mm)
D	18.00 in (457 mm)
E	17.70 in (450 mm) (mounting centers)
F	6.82 in (173 mm) (J only)
G	0.394 in (10 mm) (J only)

Note: Dotted area for sensor attachment applies for EcoSystem J case only.

CASE TYPE DIMENSIONS

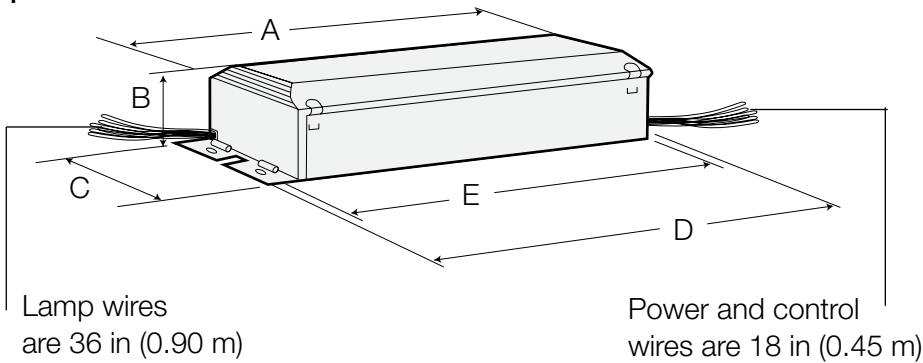
D



- A 7.13 in (181 mm)
 - B 1.00 in (25 mm)
 - C 1.58 in (40 mm)
 - D 9.50 in (241 mm)
 - E 8.91 in (226 mm)
- Slot mounting centers

If using 4-hole mount, mounting centers are 9.00 in (229 mm) X 1.06 in (27 mm).

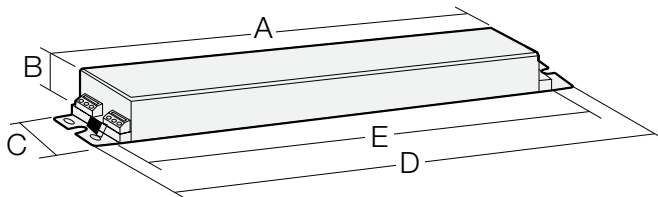
F



- A 8.30 in (211 mm)
 - B 1.50 in (38 mm)
 - C 2.38 in (60.5 mm)
 - D 9.50 in (241 mm)
 - E 8.91 in (226 mm)
- Slot mounting centers

Slot mounting centers
If using 4-hole mount, mounting centers are 9.21 in (234 mm) X 1.70 in (43 mm).

G



Lamp wires are 36 in (0.90 m) for leaded models

Power and control wires are 18 in (0.45 m) for leaded models

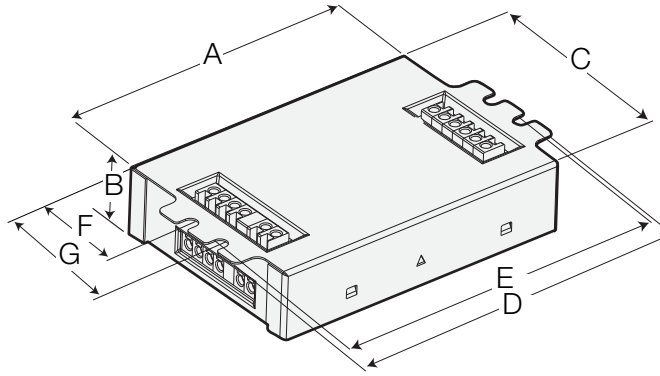
- A 7.13 in (181 mm)
- B 1.00 in (25 mm)
- C 2.38 in (60 mm)
- (slot mounting centers)
- D 9.50 in (241 mm)
- E 8.91 in (226 mm)

If using 4-hole mount, mounting centers are 9.00 in (229 mm) x 1.06 in (27 mm).

CASE TYPE DIMENSIONS

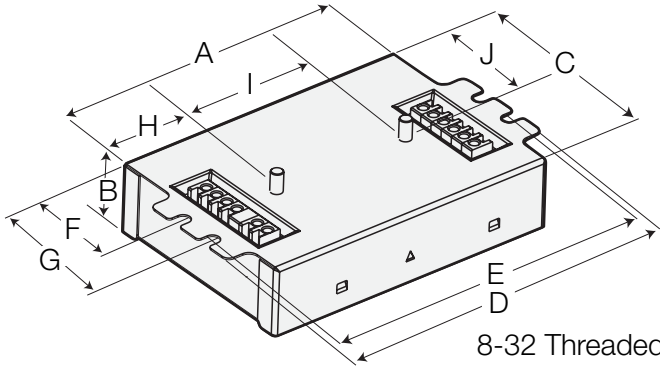
K (Ballast)

Non-studded:



A	4.20 in (107 mm)
B	1.00 in (25 mm)
C	3.00 in (76 mm)
D	4.90 in (124 mm)
E	4.60 in (117 mm)
	(mounting centers)
F	1.42 in (36 mm)
G	1.99 in (51 mm)

Studded:



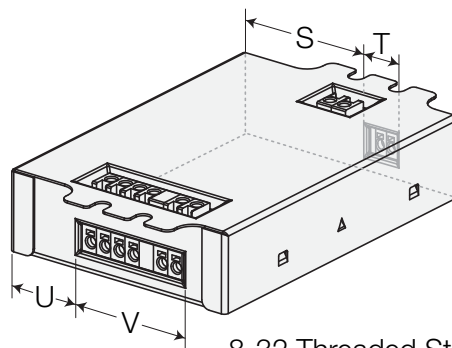
For Studded Models Only:

H	1.09 in (28 mm)
I	2.00 in (51 mm)
J	1.60 in (41 mm)

8-32 Threaded Stud
0.29 in (.736 mm) long

K (LED Driver)

Non-studded:



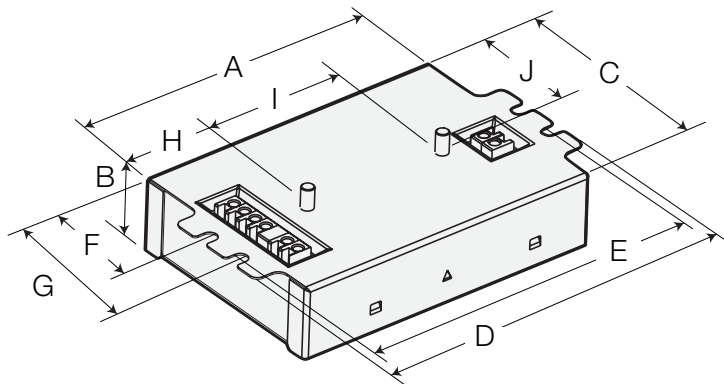
A	4.20 in (107 mm)
B	1.00 in (25 mm)
C	3.00 in (76 mm)
D	4.90 in (124 mm)
E	4.60 in (117 mm)
	(mounting centers)
F	1.42 in (36 mm)
G	1.99 in (51 mm)

8-32 Threaded Stud
0.29 in (.736 mm) long

For Studded Models Only:

H	1.09 in (28 mm)
I	2.00 in (51 mm)
J	1.60 in (41 mm)

Studded:

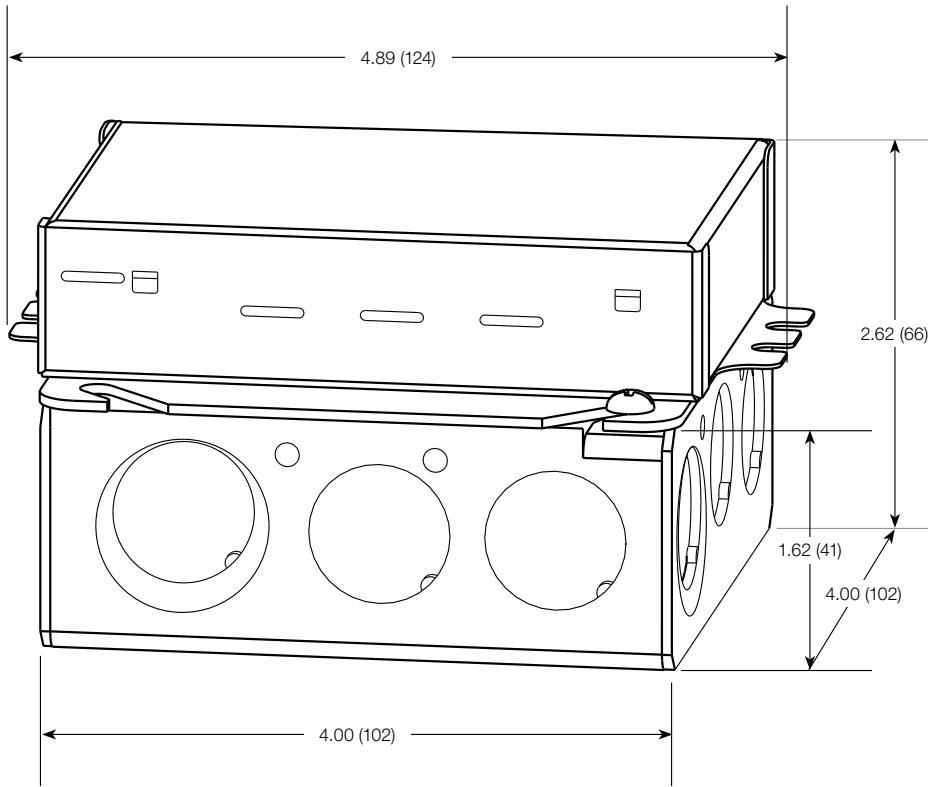


For Non-Studded Models Only:

S	1.38 in (35 mm)
T	0.64 in (16 mm)
U	0.88 in (22 mm)
V	1.53 in (39 mm)

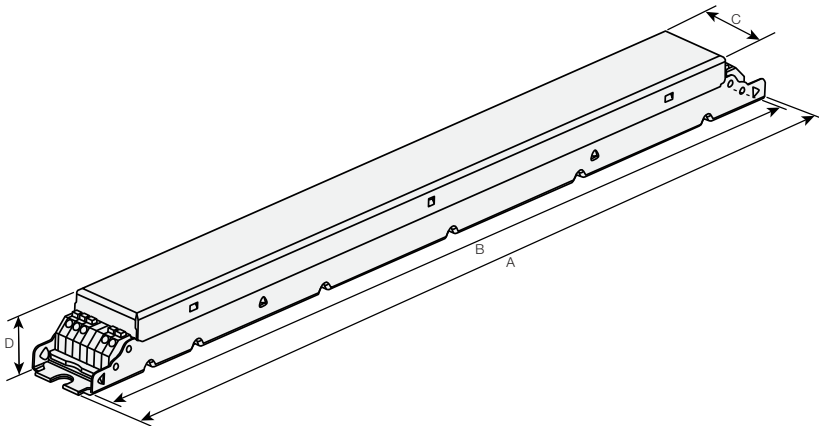
CASE TYPE DIMENSIONS

KL



- A 4.89 in (124 mm)
- B 4.00 in (102 mm)
- C 2.62 in (66 mm)
- D 4.00 in (102 mm)
- E 1.62 in (41 mm)

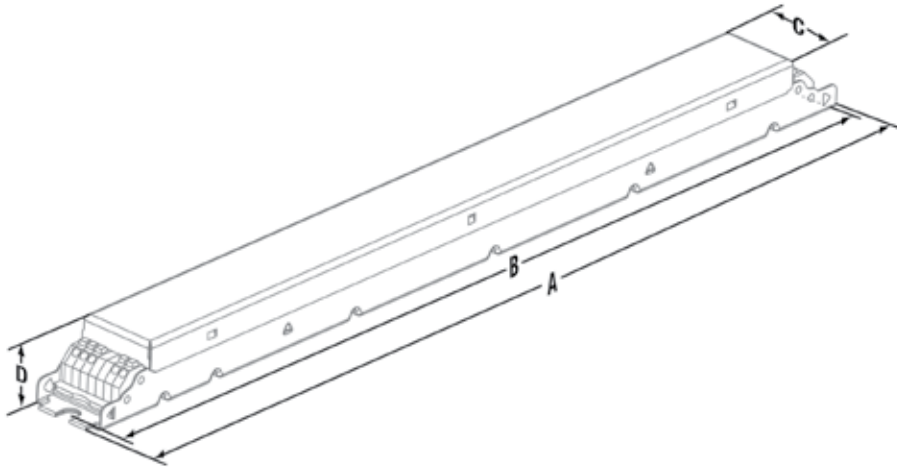
M



- A 14.13 in (359 mm)
- B 13.78 in (350 mm)
(mounting centers)
- C 1.18 in (30 mm)
- D 0.98 in (25 mm)

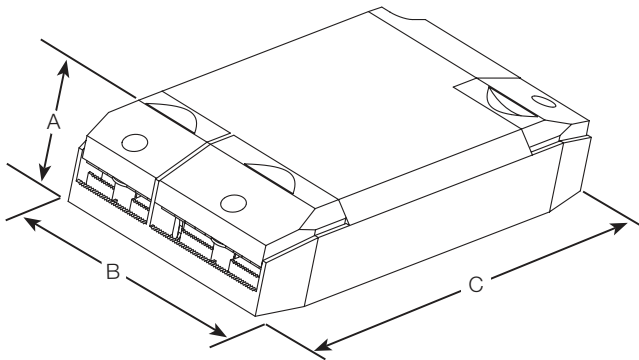
CASE TYPE DIMENSIONS

M



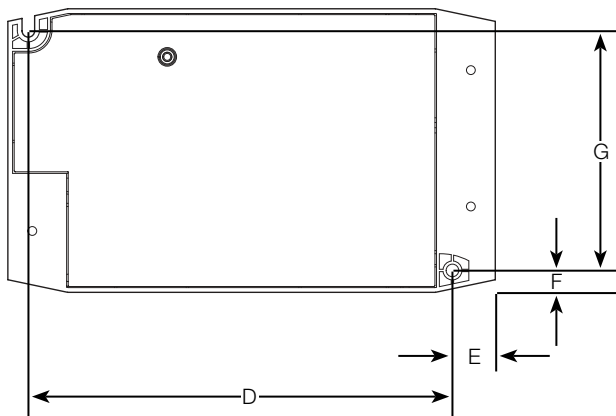
- A 14.13 in (359 mm)
- B 13.78 in (350 mm)
(mounting centers)
- C 1.18 in (30 mm)
- D 0.98 in (25 mm)

P



- A 31.8 mm
- B 90 mm
- C 154.7 mm
- D 134.6 mm
- E 13.6 mm
- F 6.95 mm
- G 76.05 mm

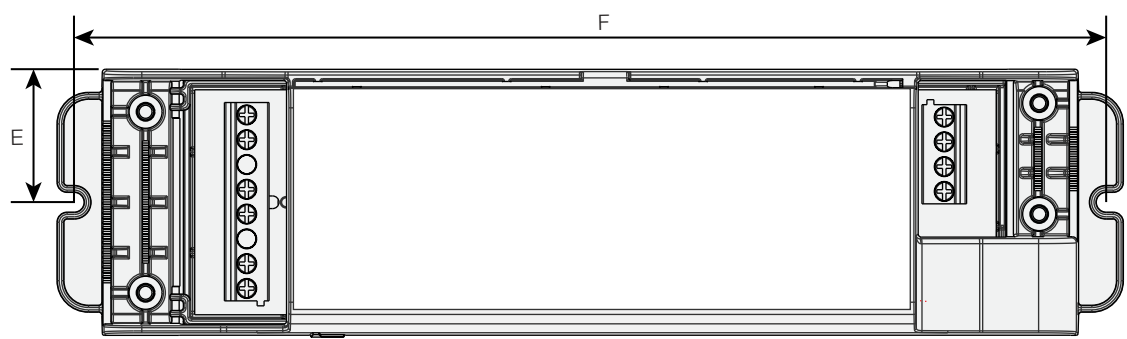
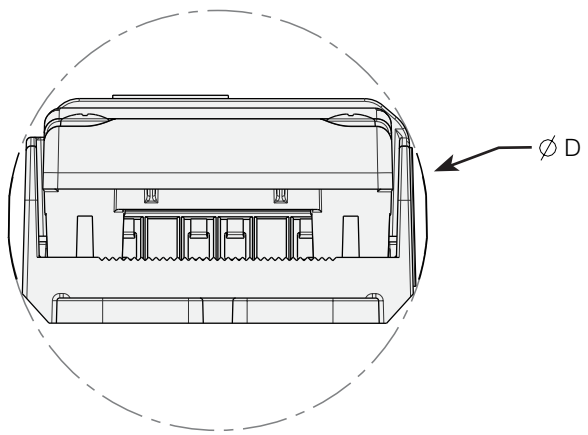
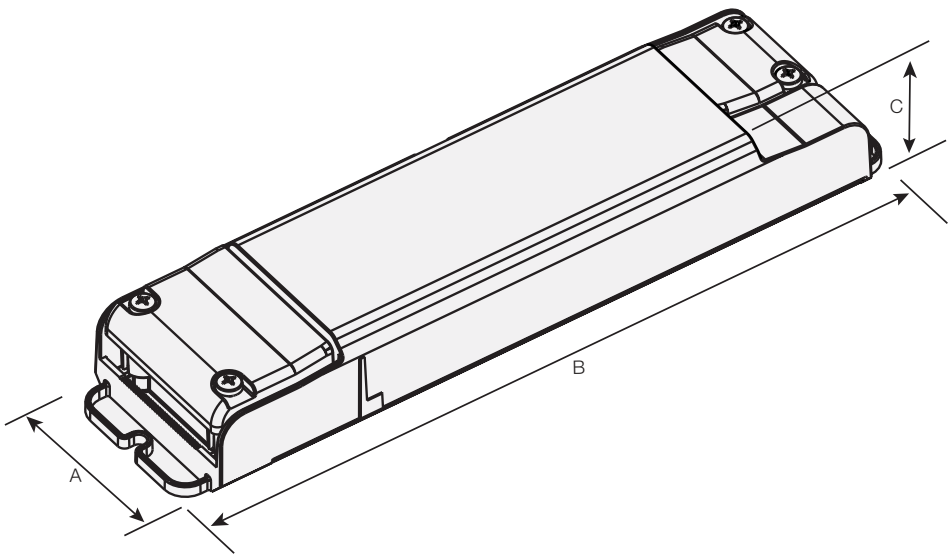
MOUNTING CENTERS



CASE TYPE DIMENSIONS

R

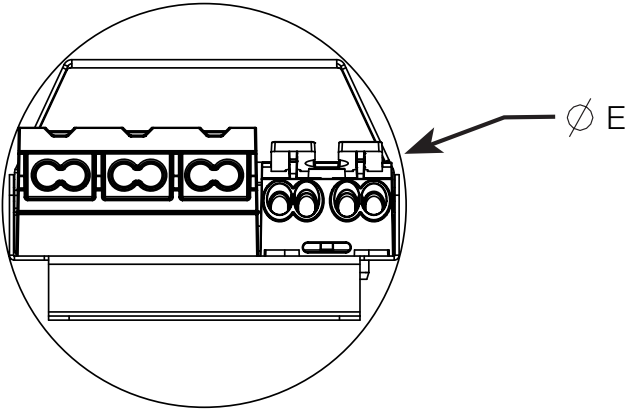
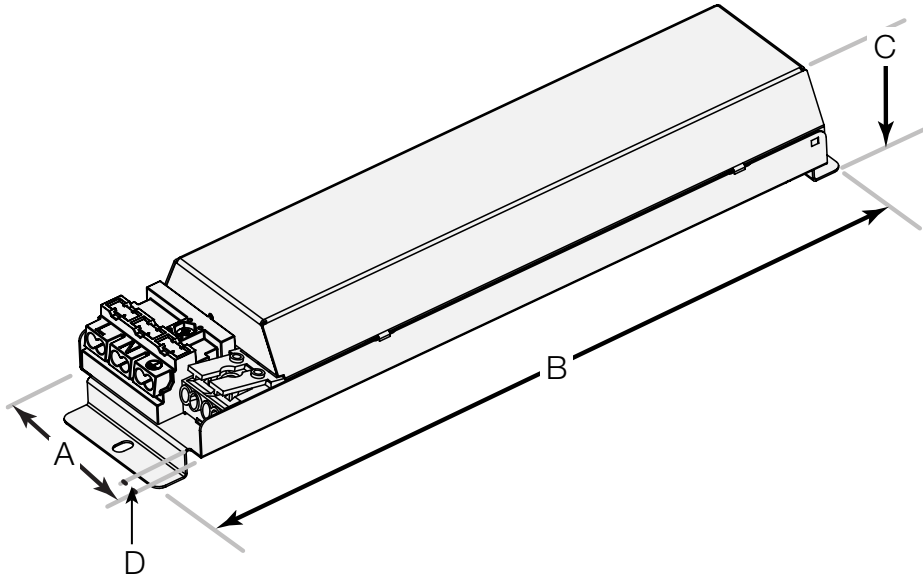
- A 2.11 in (54 mm)
- B 8.46 in (215 mm)
- C 1.21 in (31 mm)
- D 2.36 in (60 mm)
- E 1.06 in (27 mm)
- F 8.19 in (208 mm)



CASE TYPE DIMENSIONS

T

- A 2.28 in (58 mm)
- B 9.66 in (245 mm)
- C 1.52 in (39 mm)
- D 0.35 in (9 mm)
- E 2.36 in (60 mm)
- F 1.14 in (29 mm)
- G 9.25 in (235 mm)



BALLAST WARRANTY / LED DRIVER WARRANTY

LUTRON ELECTRONICS CO., INC. BALLAST/DRIVER 3-YEAR LIMITED WARRANTY

For a period of three years from the date of shipment by Lutron, Lutron warrants each new ballast/driver to be free from manufacturing defects. Lutron will, at its option, repair or provide a comparable replacement for any defective ballast/driver that, in the opinion of Lutron, has been installed and operated pursuant to Lutron product specifications and the applicable provisions of the National Electrical Code and of the Safety Standards of Underwriters Laboratories so long as Lutron is promptly notified of the defect within the 3-year warranty period and, if requested by Lutron, the ballast/driver is returned to Lutron.

This warranty is in lieu of all other express warranties and all implied warranties, including implied warranties of merchantability and of fitness for a particular purpose. This warranty does not cover: the cost of installation, removal or reinstallation; damage resulting from misuse, abuse, or improper or incorrect repair; damage from improper wiring or installation; or incidental or consequential damages. Lutron liability on any claim for damages arising out of or relating to the manufacture, sale, installation, delivery, or use of the ballast/driver is limited to the purchase price of the ballast/driver.

No Lutron agent, employee or representative has any authority to bind Lutron to any affirmation, representation or warranty concerning the ballast/driver. Unless an affirmation, representation or warranty made by an agent, employee or representative is specifically included herein, or in standard printed materials provided by Lutron, it does not form a part of the basis of any bargain between Lutron and customer and will not in any way be enforceable by customer.

www.lutron.com

Lutron Electronics Co., Inc.
7200 Suter Road
Coopersburg, PA 18036-1299

World Headquarters 1.610.282.3800
© 12/2014 Lutron Electronics Co., Inc. | P/N 368-2376 REV D

In no event will Lutron or any other seller be liable or responsible for any (i) consequential or special damages, (ii) repair work undertaken without Lutron prior consent, (iii) ancillary equipment not furnished by Lutron which is attached to or used in connection with the ballast/driver, all such equipment being expressly excluded from this warranty, or (iv) damage to the ballast/driver resulting from the use of ancillary equipment not furnished by Lutron for use with the ballast/driver.

This warranty provides specific legal rights. Other rights, which vary from state to state, may exist. Some states do not allow limitations on how long an implied warranty lasts or the exclusion or limitation of incidental or consequential damages, so the above limitations or exclusions may not apply.

Contact the Lutron Technical Support Center at the numbers provided below or your local Lutron sales representative with questions concerning the installation or operation of a covered ballast/driver or this Warranty, or to make a warranty claim. Please provide the exact model number when calling.

USA and Canada (24 hrs/7days)

800.523.9466

Other countries (8 a.m. – 8 p.m. ET)

610.282.3800

Fax 610.282.3090

<http://www.lutron.com>

©2011 Lutron Electronics Co., Inc.

5-year warranty (limited) is available with field service commissioning.

Lutron standard 3-year ballast/driver warranty is automatically extended to a 5-year warranty if the project is commissioned by the Lutron Services Company. For questions about factory commissioning or to schedule a system startup please call the Lutron Services Company scheduling department at 1.800.523.9466.

